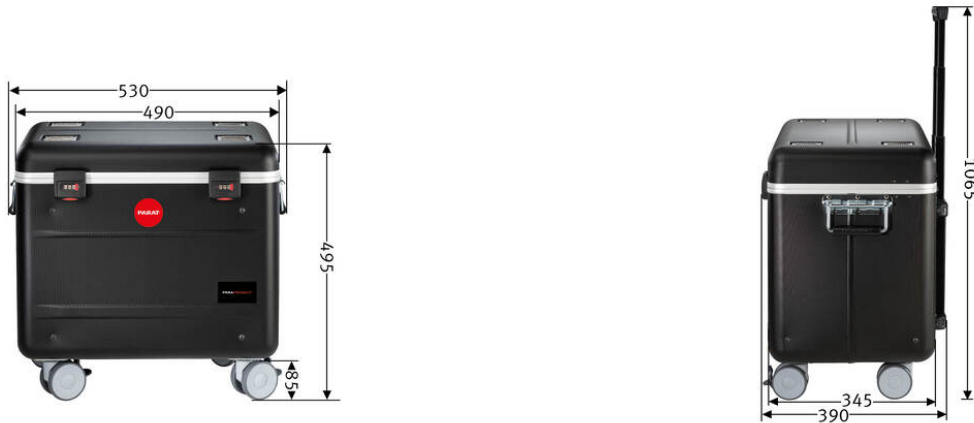


# PARAPROJECT®

## Case C10

charging , transport , storage



|                             |  |
|-----------------------------|--|
| Part denomination           | PARAPROJECT Case C10 Charge Only, 15.6", black   |
| Part number                 | 208.630-151  |
| GTIN /EAN                   | 4006793898912  |
| Field of application        | Education , Health Care  |
| Certificates                | CE / REACH / RoHS  |
| Applicable standards        | DIN EN 60950-1 / DIN EN 55022 / DIN EN 55035   |
| Scope of delivery           | <ul style="list-style-type: none"> <li>- PARAPROJECT® Case C10</li> <li>- device connection cable, EU, length: 5 m</li> <li>- 5 y-adapter with 2 IBM sockets (C5, 3-pin)</li> <li>- 5 y-adapter with 2 Euro-8 sockets (C7, 2-pin)</li> <li>- user guide</li> </ul> |
| Materials                   | <ul style="list-style-type: none"> <li>- aluminium</li> <li>- Con-Pearl®</li> <li>- X-ABS plastic</li> </ul>   |
| Transport                   | 4-fold telescopic handle / 2 carrying handles / combination lock / 4 smooth-running castors ø 75 mm (with 2 lockable castors)  |
| External dimensions (WxDxH) | 530 mm x 390 mm x 495 mm   |
| Weight                      | 10000 g  |
| Transport dimensions        | 540 mm x 400 mm x 530 mm   |
| Dimensions of euro-palettes | 1200 mm x 800 mm x 1740 mm   |
| Number of euro-pallet       | 6  |
| customs tariff number       | 42021250   |
| Country of origin           | RO   |

# PARAPROJECT®

## Case C10

charging , transport , storage

|                           |   |
|---------------------------|---|
| Fittings                  | <ul style="list-style-type: none"> <li>- Interior technical equipment:</li> <li>- 10 storage compartment (W x D x H: 35/25 (zig-zag arrangement) x 255 x 350 mm) for tablets or laptops</li> <li>- storage compartment for accessories such as access point, router and/or Apple TV</li> <li>- 10 rubber loops for original power supply units</li> <li>- 2 Schuko sockets for e.g. master laptop or access point</li> <li>- Case lid:</li> <li>- napped foam</li> <li>- air vents in the lid and bottom tray</li> <li>- External technical equipment:</li> <li>- central power supply with protective cap</li> <li>- on/off-switch</li> <li>- 4-fold telescopic handle</li> <li>- 2 carrying handles</li> <li>- combination lock</li> <li>- 4 smooth-running castors <math>\varnothing</math> 75 mm (with 2 lockable castors)</li> </ul> |
| Compatible devices        | All tablets or laptops up to 15,6" that can be charged with their own power supply unit , ultrabook   |
| Max. number of devices    | 10  |
| Operating system          | Chrome OS / macOS / Windows   |
| Cable types for equipment | y-adapter with 2 IBM sockets (C5, 3-pin) ; y-adapter with 2 Euro-8 sockets (C7, 2-pin)  |
| Power supply              | use of customer's own power supply units  |
| Output power per port     | max. 2,5 A  |
| Optional accessories      | <ul style="list-style-type: none"> <li>- y-adapter with 2 Euro flat sockets</li> <li>- external weekly timer</li> </ul>   |
| Lock types                | combination lock  |
| Connections               | <ul style="list-style-type: none"> <li>- outside:</li> <li>- central power supply with protective cap</li> <li>- main switch</li> <li>- inside:</li> <li>- 5 IBM sockets (C5, 3-pin)</li> <li>- 5 y-adapter with 2 IBM sockets (C5, 3-pin)</li> <li>- 5 y-adapter with 2 Euro-8 sockets (C7, 2-pin)</li> <li>- 2 Schuko sockets</li> </ul>  |
| Data of currents          | <ul style="list-style-type: none"> <li>- 100 - 240 V</li> <li>- max. 8 A</li> <li>- 50/60 Hz</li> </ul>   |
| Dimension of pockets      | 35 / 25 (Zick-Zack Anordnung der Fächer) x 255 x 350 mm (+ 40 mm zusätzliche Höhe dank Kofferdeckel)  |
| Color                     | black   |

product image similar / information without content / subject to errors and changes / all dimensions in mm

# PARAPROJECT®

## Case C10

charging , transport , storage



- storage compartment for power units



- central power supply with protective cap